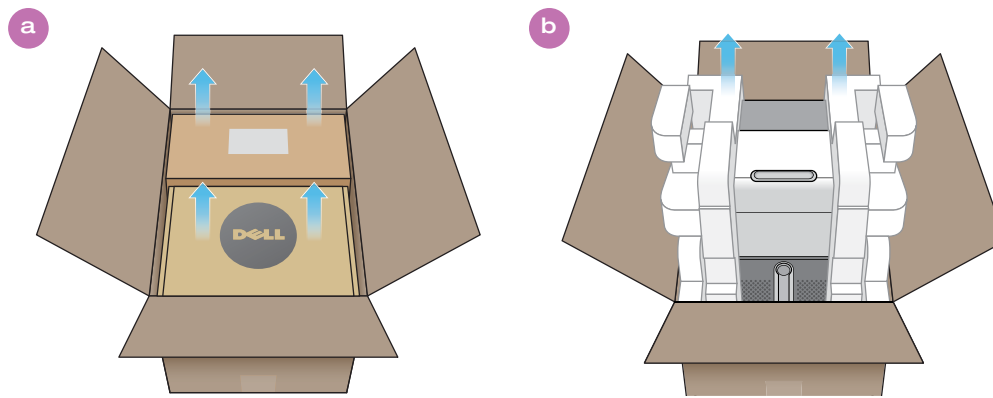


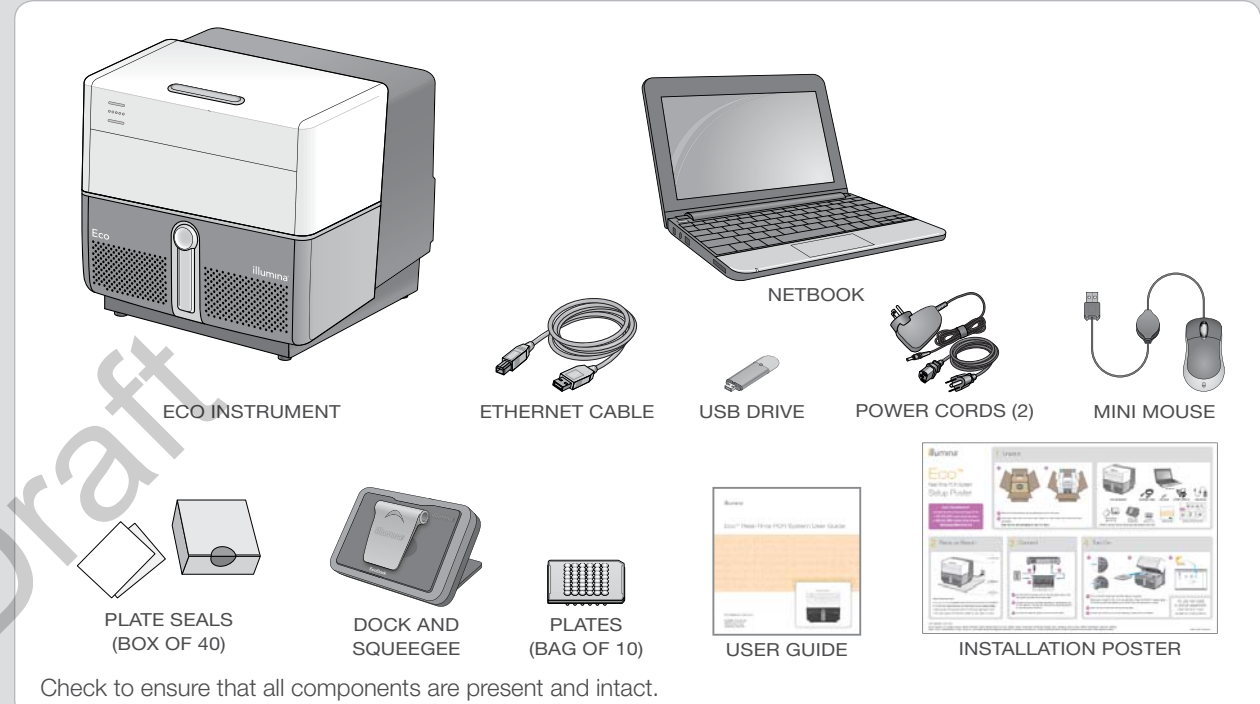
Got Questions?

Contact Illumina Technical Support at:
1.800.809.4566 inside North America
+1.858.202.4566 outside North America
TechSupport@illumina.com

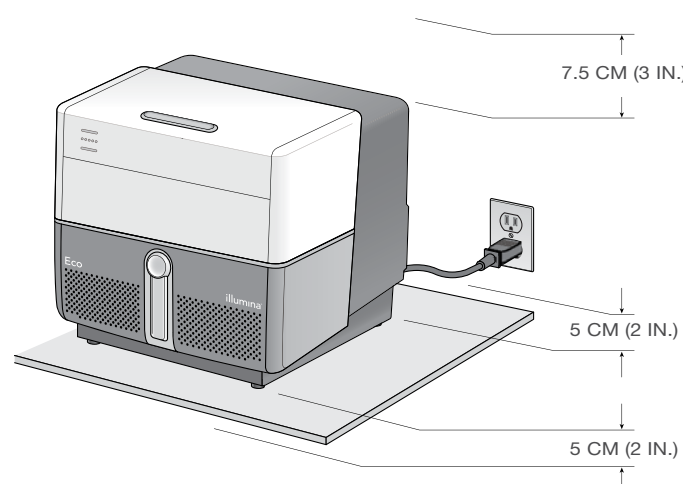
1 Unpack



- a** Remove the Dell netbook and accessories box from the crate.
 - b** Lift the Eco instrument out of the crate. Place it on a flat surface and remove the foam packaging.
- Keep the box and packaging in case of a return.**



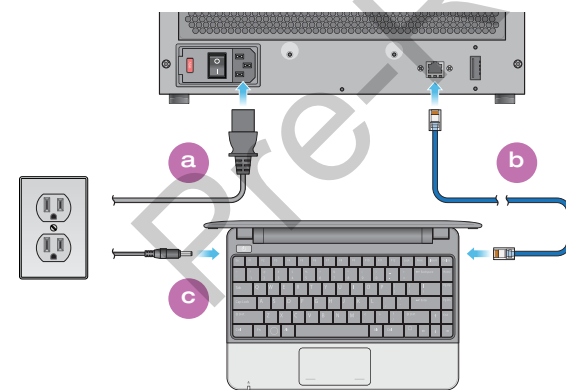
2 Place on Bench



Space Requirements

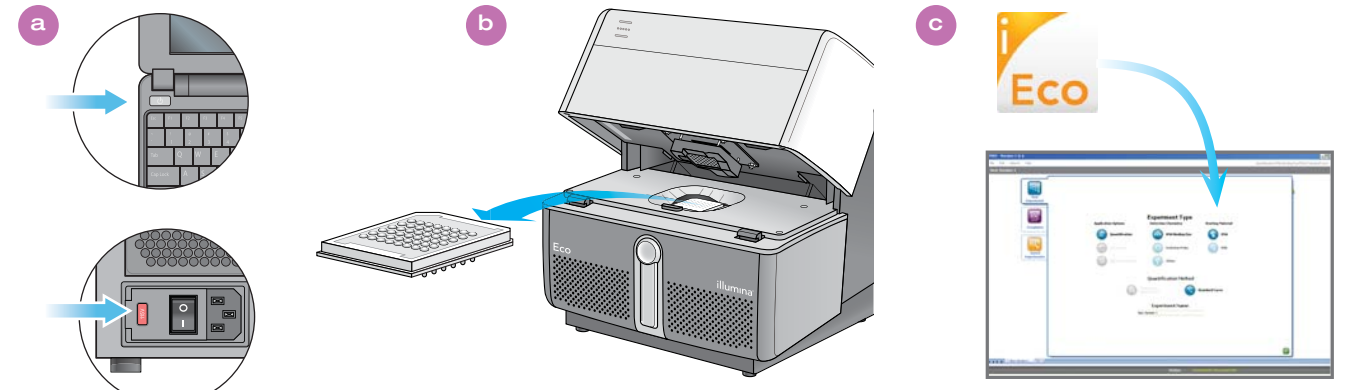
- 5 cm (2 in.) of unimpeded space at the front and back for ventilation.
- 7.5 cm (3 in.) above the Eco so that the lid can be opened safely.
- Easy access to the power switch on the lower right back corner.
- Two wall outlets (100–240 VAC, 50/60 Hz, 5A) within 2 m (6 ft.)

3 Connect



- a** Connect the Eco power cord to the AC power inlet on the rear panel, and then to the wall outlet.
- b** Connect one end of the Ethernet cable to the Ethernet port on the netbook. Connect the other end to the Ethernet port on the rear panel of the Eco.
- c** Connect the netbook power cord to the wall outlet.

4 Turn On



- a** Turn on the netbook computer, then turn on the Eco instrument. Wait 20 minutes for Eco to run its self-tests. When the READY indicator lights on the front panel stop flashing and remain solid, the instrument is ready.
- b** Open the Eco lid and remove the empty plate.
- c** Double click the Eco icon on the desktop to start the Eco software.

You are now ready to start an experiment. See the Eco User Guide for instructions.